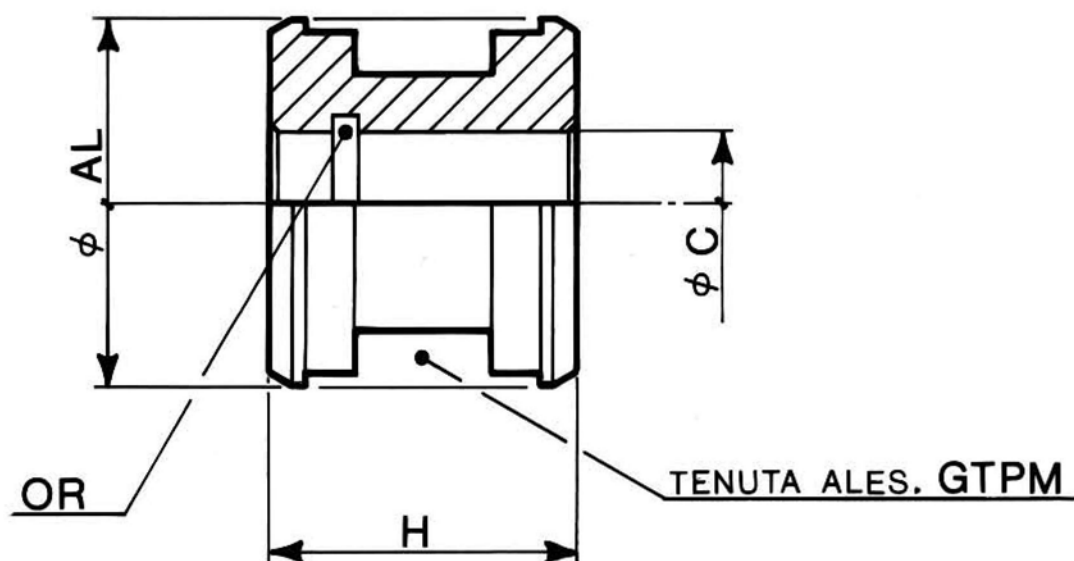


PISTONE

PISTON
KOLBEN
PISTON

ACCIAIO - UNI 7847 C43/C45

STEEL - BS 080 M 40
STAHL - DIN 17200 CK 40
ACIER - AFNOR XC 42



CODICE CODE		AL ALESAGGIO	C	H	GTPM	OR
P.M. 118066/10	*	30	10	35	118066	108
P.M. 125086/14	*	32	14	32	125086	3056
P.M. 157118/15	*	40	15	40	157118	119
P.M. 177137/16	*	45	16	38	177137	121
P.M. 177137/19	*	45	19	38	177137	3075
P.M. 196133/16	*	50	16	40	196133	121
P.M. 196133/19	*	50	19	40	196133	3075
P.M. 216153/19	*	55	19	40	216153	3075
P.M. 216153/22	*	55	22	40	216153	3087
P.M. 236173/19	*	60	19	42	236173	3075
P.M. 236173/22	*	60	22	42	236173	3087
P.M. 236173/24	*	60	24	42	236173	132
P.M. 248185/22		63	22	42	248185	3087
P.M. 255196/19		65	19	42	255196	3075
P.M. 255196/22		65	22	42	255196	3087
P.M. 255196/25		65	25	42	255196	3100
P.M. 275196/19		70	19	45	275196	3075
P.M. 275196/22		70	22	45	275196	3087
P.M. 275196/24		70	24	45	275196	132
P.M. 275196/27		70	27	45	275196	135
P.M. 295216/24		75	24	45	295216	132

(*)ACCIAIO UNI CF 9SMnPb28 - STEEL BS 230 M07 Pb - STAHL DIN 9SMnPb 28 - ACIER AFNOR S300 Pb

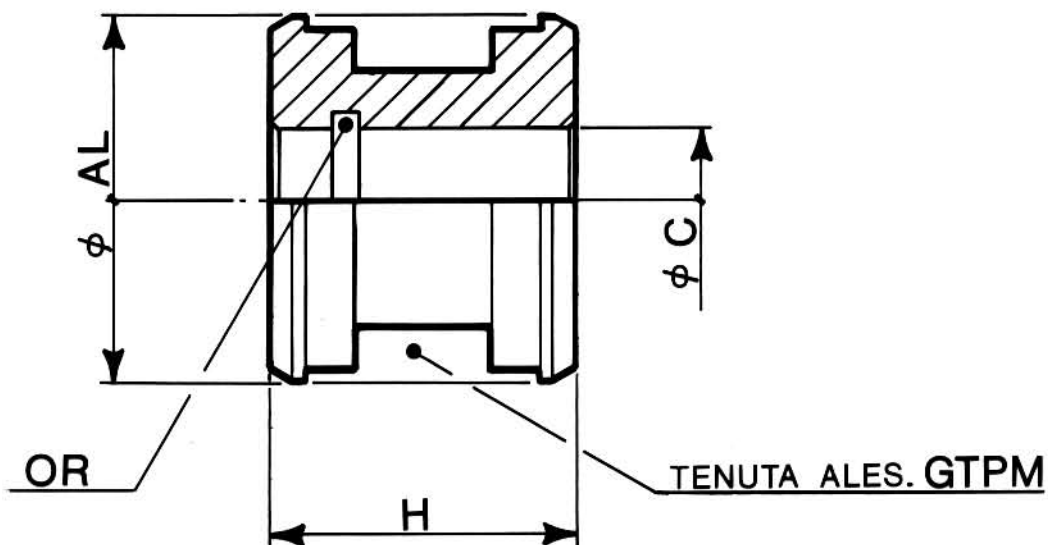
ARPI S.r.l. - Via T. Tasso, 46 - 42023 CADELBOSCO DI SOPRA (REGGIO EMILIA) - ITALY
Tel. 0522/917815 - 917850 Fax 0522/917850

PISTONE

PISTON
KOLBEN
PISTON

ACCIAIO - UNI 7847 C43/C45

STEEL - BS 080 M 40
STAHL - DIN 17200 CK 40
ACIER - AFNOR XC 42



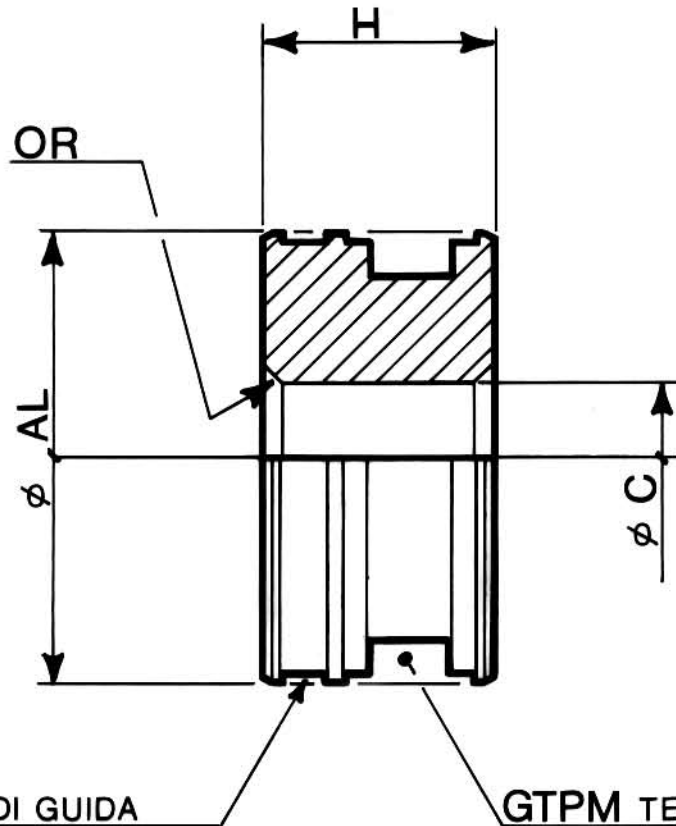
CODICE CODE	AL ALESAGGIO	C	H	GTPM	OR
P.M. 314236/24	80	24	45	314236	132
P.M. 314236/27	80	27	45	314236	135
P.M. 314236/30	80	30	45	314236	4118
P.M. 334255/24	85	24	45	334255	132
P.M. 334255/27	85	27	45	334255	135
P.M. 334255/30	85	30	45	334255	4118
P.M. 354275/27	90	27	45	354275	135
P.M. 354275/30	90	30	45	354275	4118
P.M. 354275/35	90	35	45	354275	4137
P.M. 354275/45	90	45	45	354275	149
P.M. 374295/35	95	35	50	374295	4137
P.M. 393295/27	100	27	50	393295	135
P.M. 393295/30	100	30	50	393295	4118
P.M. 393295/35	100	35	50	393295	4137
P.M. 393295/40	100	40	50	393295	144
P.M. 393295/45	100	45	50	393295	149
P.M. 433334/35	110	35	50	433334	4137
P.M. 433334/CIECO	110	CIECO	43	433334	-
P.M. 492393/33	125	33	55	492393	139
P.M. 492393/36	125	36	55	492393	141
P.M. 492393/40	125	40	55	492393	144
P.M. 492393/45	125	45	55	492393	149

PISTONE

PISTON
KOLBEN
PISTON

ACCIAIO - UNI 7847 C43/C45

STEEL - BS 080 M 40
STAHL - DIN 17200 CK 40
ACIER - AFNOR XC 42



CODICE CODE	AL ALESAGGIO	C	H	GTPM	OR	GAGE
P.M. 433334/GAGE	110	CIECO	60	433334	-	110
P.M. 433334/GAGE/40	110	40	60	433334	144	110
P.M. 433334/GAGE/42	110	42	60	433334	146	110
P.M. 472374/GAGE	120	CIECO	60	472374	-	120
P.M. 472374/GAGE/40	120	40	60	472374	144	120